



interislander

NGĀ WAKA - NEW ZEALAND'S FERRIES



# LASHING POINT REQUIREMENTS

## Maritime Rules Part 24B

The Master of any ship cannot accept any vehicle on board if they are not satisfied that it can be transported safely according to Maritime Legislation



Ministry of **Transport**  
TE MANATŪ WAKA





interislander

NGĀ WAKA - NEW ZEALAND'S FERRIES



## Maritime NZ Part 24B Apply to

- Road freight vehicles, road tank vehicles and road livestock vehicles ie. Rigid, Truck/Trailer
- Gross mass of 3.5 tonnes or more

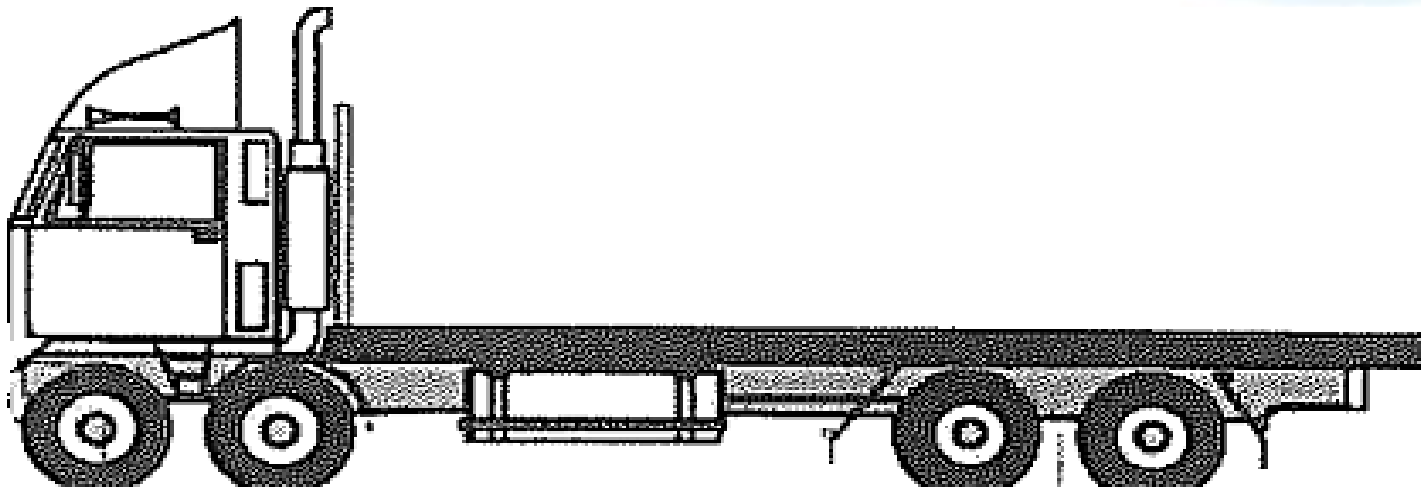
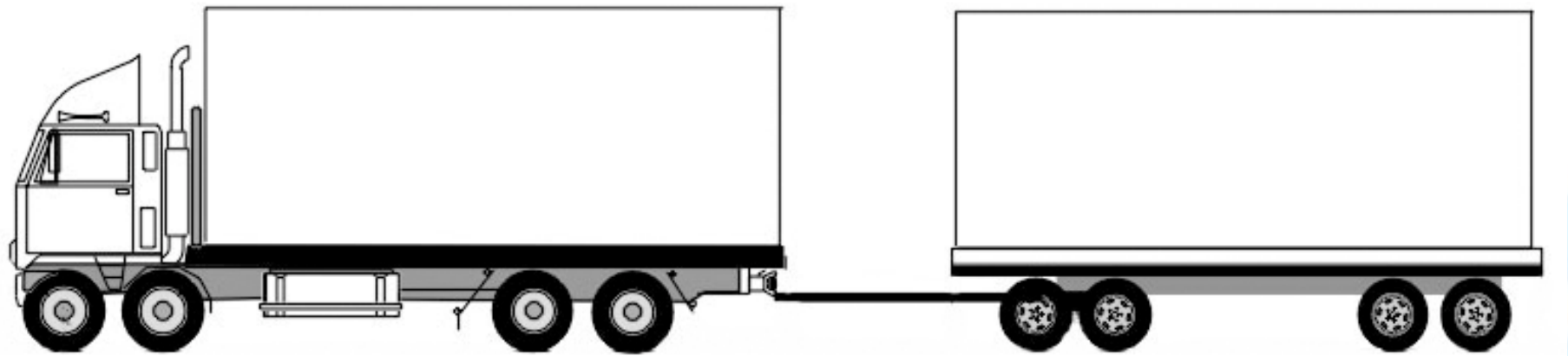


interislander

NGĀ WAKA - NEW ZEALAND'S FERRIES



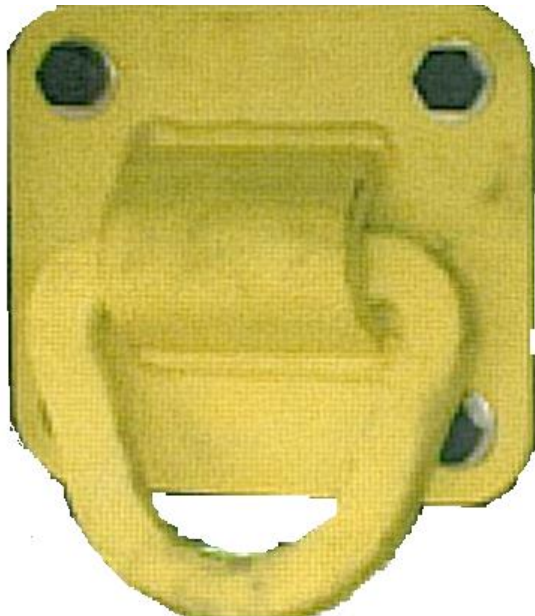
# EXAMPLE REQUIRED TO COMPLY





## Lashing Point Size & Signage (example)

- Allow inside passage of a circle of at least 80mm
- Thickness will allow for a hook of at least 25mm opening



- Information plate measuring 200mm X 150mm shall be fixed permanently on both sides of the vehicle at or within 1.6m from the front end.

- Height 1-1.5 m from the ground





interislander

NGĀ WAKA - NEW ZEALAND'S FERRIES



# Examples





interislander

NGĀ WAKA - NEW ZEALAND'S FERRIES



# Information Plate (examples)

